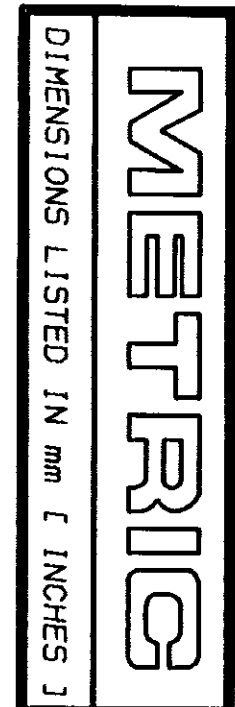
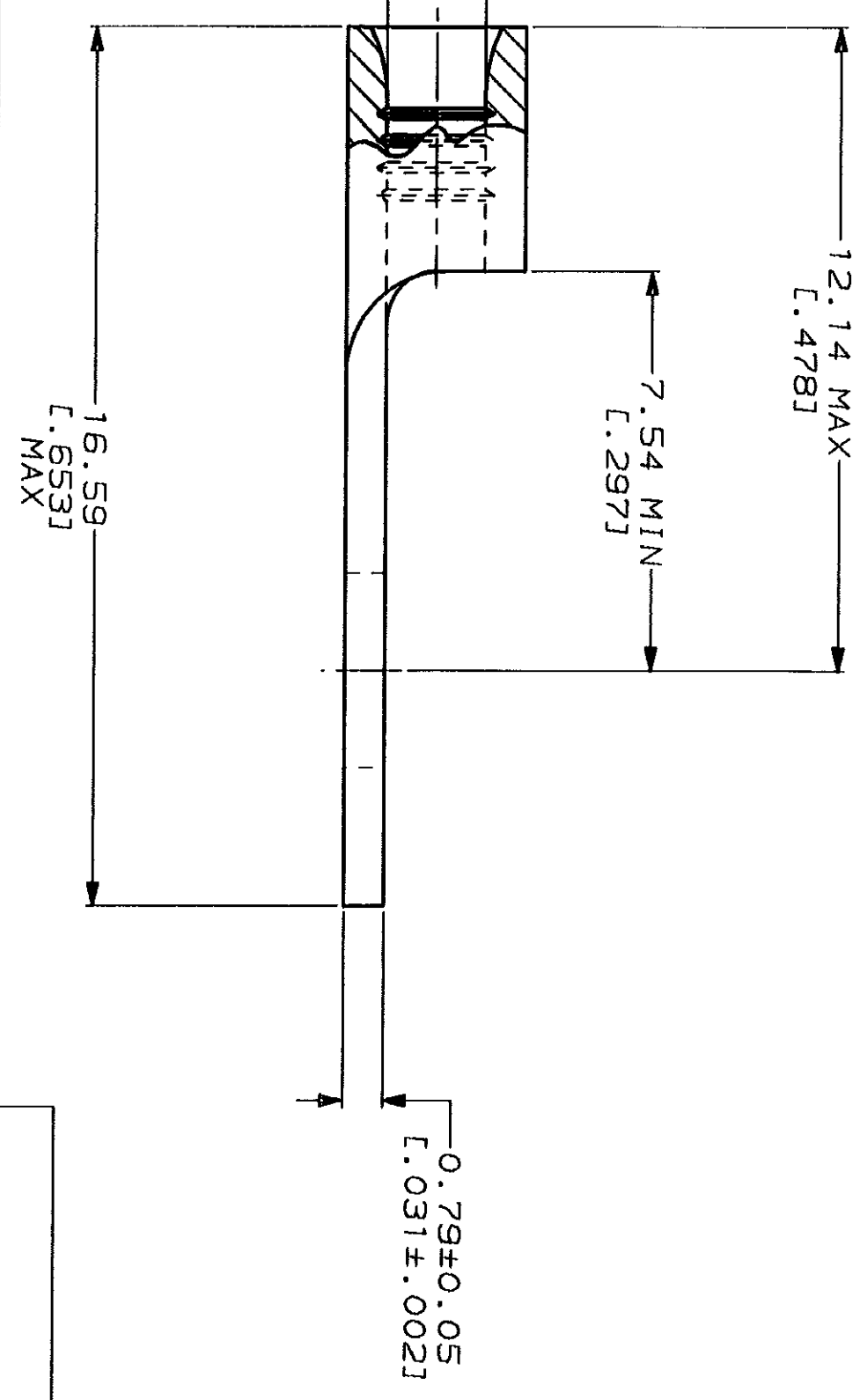
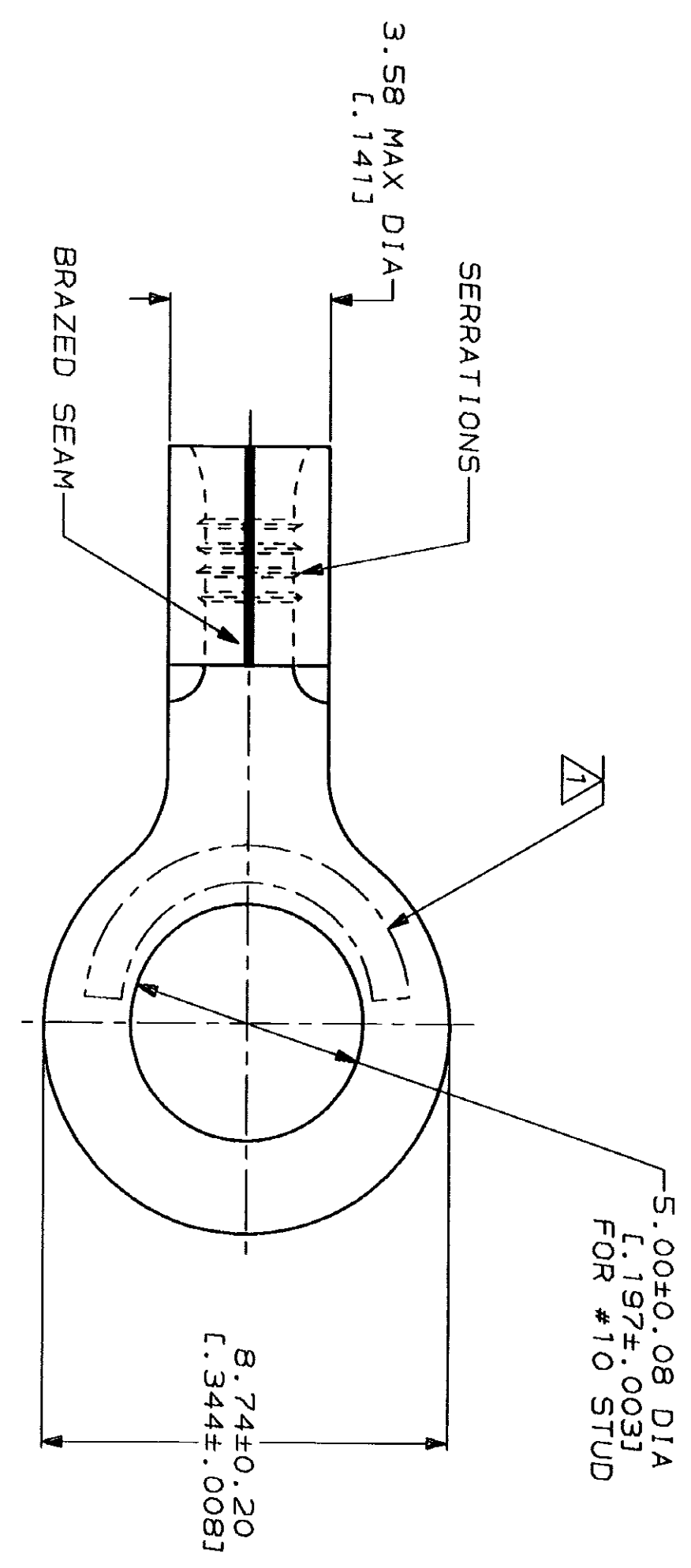


LOC	DIST	P	F	ZONE	LTR	REVISIONS	DESCRIPTION	DATE	APPD
G	14			B		REV. RDRW, 8 SM PKG PER 0720-0040-93		3-10-93	1 st DAP



AMP WIRE RANGE	UL E13288 Listed
22-16 AWG SOLID OR STRANDED	22-16 AWG SOLID OR STRANDED
LR7189 Certified	MILITARY P/N AND CLASS
22-16 AWG SOLID OR STRANDED	NOT APPLICABLE

STAMP AMP 22-18* APPROX AS SHOWN
22-16 TERMINALS ARE STAMPED 22-18 IN
ACCORDANCE WITH MILITARY SPECIFICATION
MIL-T-7928, COMMERCIAL WIRE RANGE IS 22-16



AMP INCORPORATED
CUSTOMER SERVICE SYSTEMS

FOR ADDITIONAL PRODUCT INFORMATION OR COPIES OF DRAWINGS AND TECHNICAL DOCUMENTS	PRODUCT INFORMATION CENTER 1-800-522-6752
FOR APPLICATION TOOLING INFORMATION	TOOLING ASSISTANCE CENTER 1-800-722-1111
FOR ORDER ENTRY	1-800-526-5142

MAX RECOMMENDED OPERATING TEMPERATURE: 170°C MAX
VOLTAGE RATING: NOT APPLICABLE
WIRE CROSS SECTIONAL AREA RANGE: 0.26-1.65mm² (509-3,260) CIR MILS
SOLID OR STRANDED

DO NOT SCALE PRINT. UNLESS SPECIFIED DIMENSIONS IN mm FINISHES - TOLERANCES ON: 1 PLG DEC ± 0.05 2 PLG DEC ± 0.05 3 PLG DEC ± 0.05 ANGLES

DR 3-10-93 TA BRINKMAN
CHK 3-10-93 DA PATTERSON
APPD 3-10-93 DE MILLER
APPD 3-10-93 JL MECKLEY

QUANTITY	PACKAGE TYPE	PART NO
100	LOOSE PIECE, BOX	8-323087-1
---	LOOSE PIECE	323087

AMP AMP Incorporated
Harrisburg, PA 17105-3608

NAME	TERMINAL, RING TONGUE, SOLI STRAND™	
SIZE	CAGE CODE	DRAWING NO
SCALE	8:1	323087